

MULTI-STAGE SELF-CLEANING FILTERS

HYDRA RAINMASTER

HYDRA-RAINMASTER is a range of multi-stage self-cleaning filters especially designed for the filtration and treatment of rainwater, in re-cycling applications. The self-cleaning pre-filter with back-wash, performs all features of HYDRA self-cleaning filters with exclusive filter cartridge **RAH** stainless steel net at 90 micron.

RAH and LA cartridges are provided with brand new grey flat gasket with antimicrobial protection, performed by silver based antimicrobial agent included in the gasket plastic matrix.

DUO and TRIO models come complete with the most appropriate activated carbon cartridge:

- **LA** models with GAC (granular activated carbon) cartridge designed to provide higher performance in odor and color reduction, with maximum flow rate at 2800 l/h.
- **CB-EC** models with carbon-block cartridge designed to provide high water flow and low pressure drop, with maximum flow rate at 5500 l/h.

The secondary stage in TRIO models is provided with a PP fine filter cartridge at 5 micron to protect and prolong the life of the final carbon cartridge. HYDRA RAINMASTER can be used with KIT AUTO and work as a fully automatic self-cleaning filter with back-wash.

HYDRA RAINMASTER are manufactured with the finest and most advanced materials under constant focus on innovative processing technologies and ceaseless modernization to ensure the absolute quality of our products, certified under the most stringent certification procedures and standards: ACS (France), EAC (Russia).

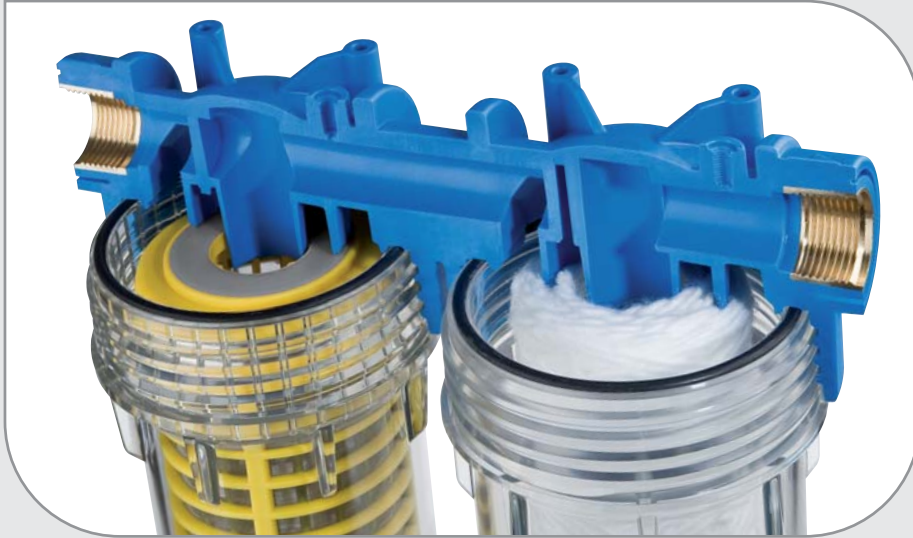
All HYDRA RAINMASTER are provided complete with a full set of accessories: wall bracket, opening spanner, discharge hose-holder, drain funnel and a complete discharge valve kit. UV LAMPS for water sterilization are available on demand.

HYDRA RAINMASTER

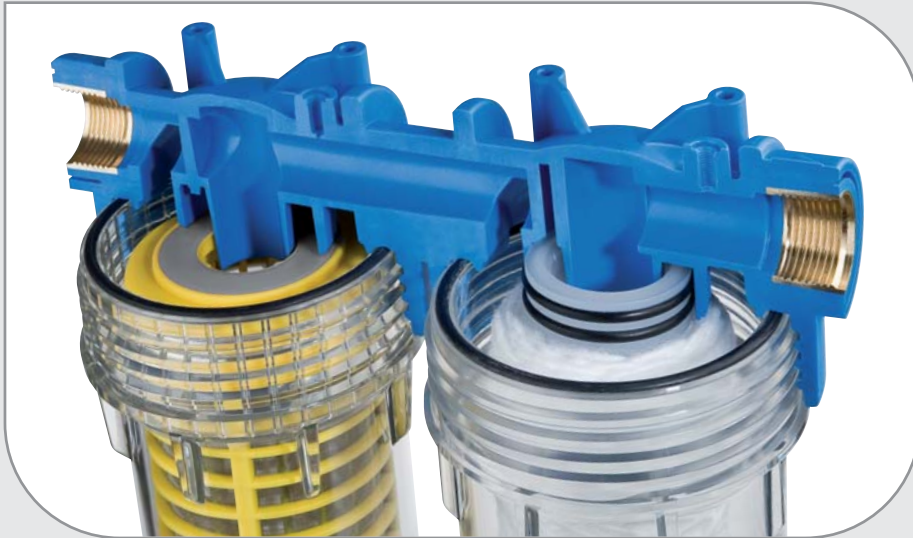
FOR CARTRIDGES SX and BX

Second and third stages housings fit to both standard SX (DOE) cartridges and to exclusive BX cartridges.

The full range of Atlas Filtri® SX and BX cartridges is suitable to Hydra multi-stage housings and provides the widest range of water filtration and treatment units.



SX cartridges with antimicrobial flat seals. Standard seals for CB EC cartridge.



BX cartridges with 45 mm double o-ring collar. Quick-fit connection for a perfect tightening.

HOUSINGS CERTIFICATIONS



The products are tested and certified under the most stringent procedures worldwide, in compliance with DM 25 (Italy), EAC (Russia) and with the sanitary certification ACS (France).

SYMBOLS LEGEND



For domestic use



For technical and industrial use



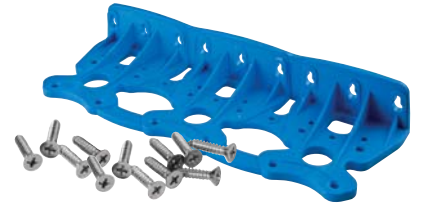
Filter housings made in PET, a highly recyclable plastic, are manufactured with a proprietary procedure saving up to 60% of energy in injection molding compared with standard plastics. That is one of Atlas Filtri commitments to comply with Kyoto Treaty for the reduction of green house gas (CO₂) emissions in the atmosphere.

ACCESSORIES INCLUDED



-X- spanner

-DUO- wall bracket



-TRIO- wall bracket

DISCHARGE KIT



brass discharge ball-valve with gasket

plastic hose-holder

plastic nipple with o-ring



drain funnel

In compliance with the European Standard UNI EN 1717/2002: designed to prevent back-flow contamination by making all elements downstream the discharge vent to atmosphere (protection unit symbol: DC)



Filterfit - cartridge centering device

ACCESSORIES ON DEMAND



3/4" plastic nipple with o-ring
CODE LB7404012



3/4" / 1" brass nipples with o-ring (pair)
CODE RB7404001 / CODE RB7404002



-KIT AUTO- CODE RE7120024
automatic discharge kit (see pages 160-161)



-UV 1200- CODE EA3500003 (see page 287)

-UV 2800- CODE EA3500004 (see page 287)



DUO



TRIO

HYDRA RAINMASTER

FILTER MODEL

DUO

VERSION

3/4"

IN / OUT

1/2"

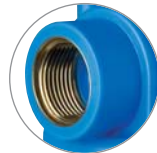
3/4"

1"

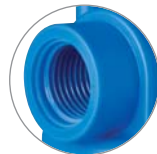
OT

THREADS TYPE

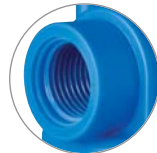
OT - BRASS BSP *



IN - PLASTIC BSP *



NPT IN - PLASTIC NPT **



RAH

PREFILTER CARTRIDGE

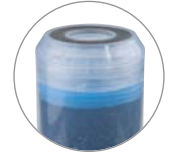
CB EC

POSTFILTER CARTRIDGE

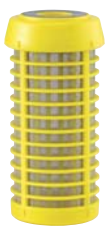
CB EC - CARBON BLOCK



LA - GRANULAR ACTIVATED CARBON



Exclusive
HYDRA RAINMASTER filter cartridge
with antimicrobial flat seal
for the self-cleaning stage.



RAH

stainless steel
net cartridge,
filtration at 90 micron.

CODE RA5000020

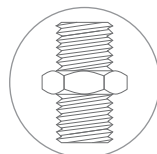


With dedicated
stainless steel
AISI 316 cartridge spring.

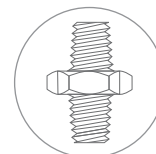
CODE RE7120040



-LUBRIKIT- single-dose lubricant for housing o-ring
CODE RE9020650



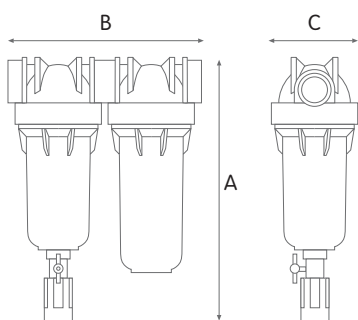
* BSP
parallel (cylindrical)
ISO 228



** NPT
tapered (conical)
ANSI/ASME B1.20.1



HYDRA RAINMASTER DUO



WORKING CONDITIONS

Max working pressure _____ 8 bar (116 psi)
 Min working pressure _____ 1,8 bar (26 psi)
 Max working temperature _____ 45°C (113°F)
 Min working temperature _____ 4°C (39,2°F)

SPECIFICATIONS

Non-toxic materials, suitable for drinking water.
 Head: reinforced polypropylene.
 Bowl: PET.
 O-rings: EPDM.
 Breather-valve: body stainless steel, o-ring EPDM.
 IN/OUT brass threads: CW 614 N brass.
 Discharge ball-valve: CW 617 N brass nickel plated.
 Discharge plastic nipple: reinforced polypropylene.
 Drain funnel: reinforced polypropylene.



DRAIN FUNNEL
 Back-flow preventing device
 UNI EN 1717-11/2002

HYDRA RAINMASTER DUO RAH with carbon block cartridge

HOUSINGS WITH BRASS BSP THREADS

CODE	MODEL	SELF CLEANING NOMINAL FILTRATION MICRON	POST CARTRIDGE NOMINAL FILTRATION MICRON	IN/OUT	THREADS	FLOW RATE l/h	DIMENSIONS mm		
							A	B	C
RA6096114	HYDRA RAINMASTER DUO RAH CB/EC 1/2"	90	10	1/2"	BRASS-BSP	3500	390	228	107
RA6096124	HYDRA RAINMASTER DUO RAH CB/EC 3/4"	90	10	3/4"	BRASS-BSP	5000	390	228	107
RA6096134	HYDRA RAINMASTER DUO RAH CB/EC 1"	90	10	1"	BRASS-BSP	5700	390	228	107

HOUSINGS WITH PLASTIC BSP THREADS

CODE	MODEL	SELF CLEANING NOMINAL FILTRATION MICRON	POST CARTRIDGE NOMINAL FILTRATION MICRON	IN/OUT	THREADS	FLOW RATE l/h	DIMENSIONS mm		
							A	B	C
RA6096115	HYDRA RAINMASTER DUO RAH CB/EC 1/2" IN	90	10	1/2"	PLASTIC-BSP	3500	390	228	107
RA6096125	HYDRA RAINMASTER DUO RAH CB/EC 3/4" IN	90	10	3/4"	PLASTIC-BSP	5000	390	228	107
RA6096135	HYDRA RAINMASTER DUO RAH CB/EC 1" IN	90	10	1"	PLASTIC-BSP	5700	390	228	107

HOUSINGS WITH PLASTIC NPT THREADS

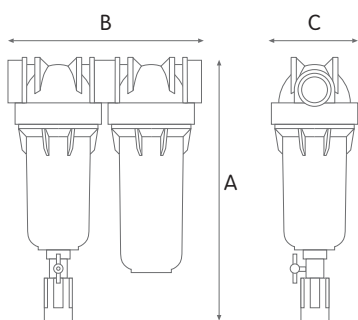
CODE	MODEL	SELF CLEANING NOMINAL FILTRATION MICRON	POST CARTRIDGE NOMINAL FILTRATION MICRON	IN/OUT	THREADS	FLOW RATE l/h	DIMENSIONS mm		
							A	B	C
RA6096126	HYDRA RAINMASTER DUO RAH CB/EC 3/4" NPT IN	90	10	3/4"	PLASTIC-NPT	5000	390	228	107
RA6096136	HYDRA RAINMASTER DUO RAH CB/EC 1" NPT IN	90	10	1"	PLASTIC-NPT	5700	390	228	107

For carbon block cartridge specifications see CB EC CTO at page 225

VARIANTS AVAILABLE ON MINIMUM QUANTITY:

- HYDRA RAINMASTER DUO with RLH or RSH prefitter cartridges.





WORKING CONDITIONS

Max working pressure _____ 8 bar (116 psi)
 Min working pressure _____ 1,8 bar (26 psi)
 Max working temperature _____ 45°C (113°F)
 Min working temperature _____ 4°C (39,2°F)

SPECIFICATIONS

Non-toxic materials, suitable for drinking water.
 Head: reinforced polypropylene.
 Bowl: PET.
 O-rings: EPDM.
 Breather-valve: body stainless steel, o-ring EPDM.
 IN/OUT brass threads: CW 614 N brass.
 Discharge ball-valve: CW 617 N brass nickel plated.
 Discharge plastic nipple: reinforced polypropylene.
 Drain funnel: reinforced polypropylene.



DRAIN FUNNEL
 Back-flow preventing device
 UNI EN 1717-11/2002

HYDRA RAINMASTER DUO RAH with GAC cartridge

HOUSINGS WITH PLASTIC BSP THREADS

CODE	MODEL	SELF CLEANING NOMINAL FILTRATION MICRON	POST CARTRIDGE NOMINAL FILTRATION MICRON	IN/OUT	THREADS	FLOW RATE l/h	DIMENSIONS mm		
							A	B	C
RA6096214	HYDRA RAINMASTER DUO RAH LA 1/2"	90	-	1/2"	BRASS-BSP	1900	390	228	107
RA6096224	HYDRA RAINMASTER DUO RAH LA 3/4"	90	-	3/4"	BRASS-BSP	2600	390	228	107
RA6096234	HYDRA RAINMASTER DUO RAH LA 1"	90	-	1"	BRASS-BSP	2900	390	228	107



HOUSINGS WITH PLASTIC BSP THREADS

CODE	MODEL	SELF CLEANING NOMINAL FILTRATION MICRON	POST CARTRIDGE NOMINAL FILTRATION MICRON	IN/OUT	THREADS	FLOW RATE l/h	DIMENSIONS mm		
							A	B	C
RA6096215	HYDRA RAINMASTER DUO RAH LA 1/2" IN	90	-	1/2"	PLASTIC-BSP	1900	390	228	107
RA6096225	HYDRA RAINMASTER DUO RAH LA 3/4" IN	90	-	3/4"	PLASTIC-BSP	2600	390	228	107
RA6096230	HYDRA RAINMASTER DUO RAH LA 1" IN	90	-	1"	PLASTIC-BSP	2900	390	228	107



HOUSINGS WITH PLASTIC NPT THREADS

CODE	MODEL	SELF CLEANING NOMINAL FILTRATION MICRON	POST CARTRIDGE NOMINAL FILTRATION MICRON	IN/OUT	THREADS	FLOW RATE l/h	DIMENSIONS mm		
							A	B	C
RA6096226	HYDRA RAINMASTER DUO RAH LA 3/4" NPT IN	90	-	3/4"	PLASTIC-NPT	2600	390	228	107
RA6096236	HYDRA RAINMASTER DUO RAH LA 1" NPT IN	90	-	1"	PLASTIC-NPT	2900	390	228	107

For GAC cartridge specifications see LA at page 217

VARIANTS AVAILABLE ON MINIMUM QUANTITY:

- HYDRA RAINMASTER DUO with RLH or RSH prefitter cartridges.



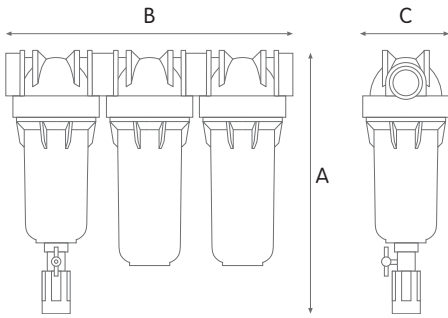
HYDRA RAINMASTER TRIO

WORKING CONDITIONS

Max working pressure _____ 8 bar (116 psi)
 Min working pressure _____ 1,8 bar (26 psi)
 Max working temperature _____ 45°C (113°F)
 Min working temperature _____ 4°C (39,2°F)

SPECIFICATIONS

Non-toxic materials, suitable for drinking water.
 Head: reinforced polypropylene.
 Bowl: PET.
 O-rings: EPDM.
 Breather-valve: body stainless steel, o-ring EPDM.
 IN/OUT brass threads: CW 614 N brass.
 Discharge ball-valve: CW 617 N brass nickel plated.
 Discharge plastic nipple: reinforced polypropylene.
 Drain funnel: reinforced polypropylene.



DRAIN FUNNEL
 Back-flow preventing device
 UNI EN 1717-11/2002



HYDRA RAINMASTER TRIO RAH with carbon block cartridge

HOUSINGS WITH BRASS BSP THREADS

CODE	MODEL	SELF CLEANING NOMINAL FILTRATION MICRON	SEDIMENT NOMINAL FILTRATION MICRON	POST CARTRIDGE NOMINAL FILTRATION MICRON	IN/OUT	THREADS	FLOW RATE l/h	DIMENSIONS mm		
								A	B	C
RA6095114	HYDRA RAINMASTER TRIO RAH CB/EC 1/2"	90	25	10	1/2"	BRASS-BSP	3500	390	336	107
RA6095124	HYDRA RAINMASTER TRIO RAH CB/EC 3/4"	90	25	10	3/4"	BRASS-BSP	4800	390	336	107
RA6095134	HYDRA RAINMASTER TRIO RAH CB/EC 1"	90	25	10	1"	BRASS-BSP	5500	390	336	107



HOUSINGS WITH PLASTIC BSP THREADS

CODE	MODEL	SELF CLEANING NOMINAL FILTRATION MICRON	SEDIMENT NOMINAL FILTRATION MICRON	POST CARTRIDGE NOMINAL FILTRATION MICRON	IN/OUT	THREADS	FLOW RATE l/h	DIMENSIONS mm		
								A	B	C
RA6095115	HYDRA RAINMASTER TRIO RAH CB/EC 1/2" IN	90	25	10	1/2"	PLASTIC-BSP	3500	390	336	107
RA6095120	HYDRA RAINMASTER TRIO RAH CB/EC 3/4" IN	90	25	10	3/4"	PLASTIC-BSP	4800	390	336	107
RA6095135	HYDRA RAINMASTER TRIO RAH CB/EC 1" IN	90	25	10	1"	PLASTIC-BSP	5500	390	336	107

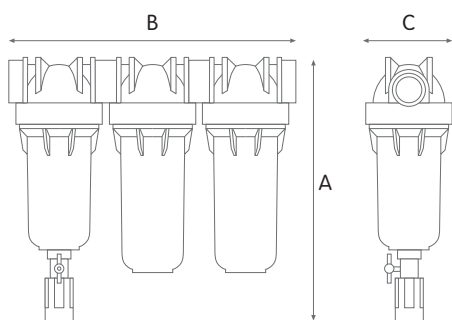
HOUSINGS WITH PLASTIC NPT THREADS

CODE	MODEL	SELF CLEANING NOMINAL FILTRATION MICRON	SEDIMENT NOMINAL FILTRATION MICRON	POST CARTRIDGE NOMINAL FILTRATION MICRON	IN/OUT	THREADS	FLOW RATE l/h	DIMENSIONS mm		
								A	B	C
RA6095126	HYDRA RAINMASTER TRIO RAH CB/EC 3/4" NPT IN	90	25	10	3/4"	PLASTIC-NPT	4800	390	336	107
RA6095136	HYDRA RAINMASTER TRIO RAH CB/EC 1" NPT IN	90	25	10	1"	PLASTIC-NPT	5500	390	336	107

For wound thread cartridge specifications see FA at page 185
 For carbon block cartridge specifications see CB EC CTO at page 225

VARIANTS AVAILABLE ON MINIMUM QUANTITY:

- HYDRA RAINMASTER TRIO with RLH or RSH prefitter cartridges.



WORKING CONDITIONS

Max working pressure _____ 8 bar (116 psi)
 Min working pressure _____ 1,8 bar (26 psi)
 Max working temperature _____ 45°C (113°F)
 Min working temperature _____ 4°C (39,2°F)

SPECIFICATIONS

Non-toxic materials, suitable for drinking water.
 Head: reinforced polypropylene.
 Bowl: PET.
 O-rings: EPDM.
 Breather-valve: body stainless steel, o-ring EPDM.
 IN/OUT brass threads: CW 614 N brass.
 Discharge ball-valve: CW 617 N brass nickel plated.
 Discharge plastic nipple: reinforced polypropylene.
 Drain funnel: reinforced polypropylene.



DRAIN FUNNEL
 Back-flow preventing device
 UNI EN 1717-11/2002

HYDRA RAINMASTER TRIO RAH with GAC cartridge

HOUSINGS WITH BRASS BSP THREADS

CODE	MODEL	SELF CLEANING NOMINAL FILTRATION MICRON	SEDIMENT NOMINAL FILTRATION MICRON	POST CARTRIDGE NOMINAL FILTRATION MICRON	IN/OUT	THREADS	FLOW RATE l/h	DIMENSIONS mm		
								A	B	C
RA6095214	HYDRA RAINMASTER TRIO RAH LA 1/2"	90	25	-	1/2"	BRASS-BSP	1800	390	336	107
RA6095224	HYDRA RAINMASTER TRIO RAH LA 3/4"	90	25	-	3/4"	BRASS-BSP	2500	390	336	107
RA6095234	HYDRA RAINMASTER TRIO RAH LA 1"	90	25	-	1"	BRASS-BSP	2800	390	336	107



HOUSINGS WITH PLASTIC BSP THREADS

CODE	MODEL	SELF CLEANING NOMINAL FILTRATION MICRON	SEDIMENT NOMINAL FILTRATION MICRON	POST CARTRIDGE NOMINAL FILTRATION MICRON	IN/OUT	THREADS	FLOW RATE l/h	DIMENSIONS mm		
								A	B	C
RA6095215	HYDRA RAINMASTER TRIO RAH LA 1/2" IN	90	25	-	1/2"	PLASTIC-BSP	1800	390	336	107
RA6095225	HYDRA RAINMASTER TRIO RAH LA 3/4" IN	90	25	-	3/4"	PLASTIC-BSP	2500	390	336	107
RA6095235	HYDRA RAINMASTER TRIO RAH LA 1" IN	90	25	-	1"	PLASTIC-BSP	2800	390	336	107



HOUSINGS WITH PLASTIC NPT THREADS

CODE	MODEL	SELF CLEANING NOMINAL FILTRATION MICRON	SEDIMENT NOMINAL FILTRATION MICRON	POST CARTRIDGE NOMINAL FILTRATION MICRON	IN/OUT	THREADS	FLOW RATE l/h	DIMENSIONS mm		
								A	B	C
RA6095226	HYDRA RAINMASTER TRIO RAH LA 3/4" NPT IN	90	25	-	3/4"	PLASTIC-NPT	2500	390	336	107
RA6095236	HYDRA RAINMASTER TRIO RAH LA 1" NPT IN	90	25	-	1"	PLASTIC-NPT	2800	390	336	107

For wound thread cartridge specifications see FA at page 185
 For GAC cartridge specifications see LA at page 217

VARIANTS AVAILABLE ON MINIMUM QUANTITY:

- HYDRA RAINMASTER TRIO with RLH or RSH prefitter cartridges.